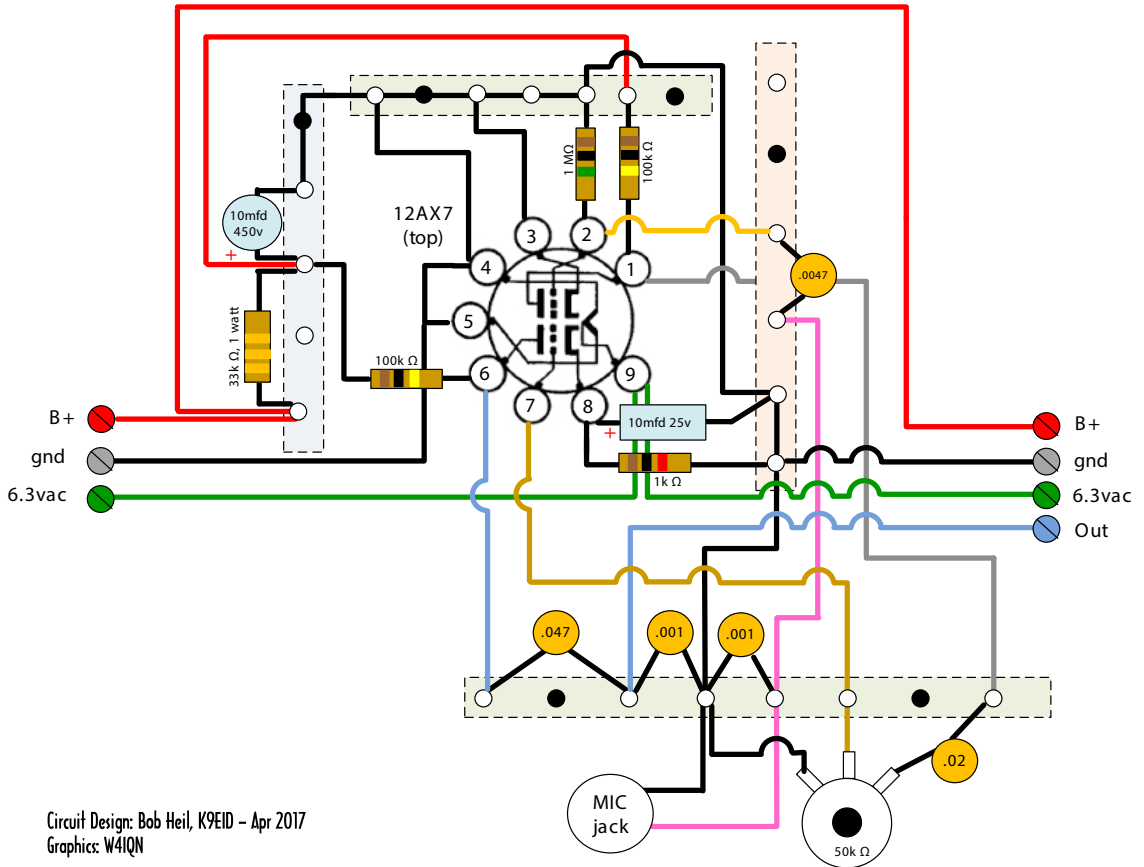


Pine Board Pre-amp Layout



Circuit Design: Bob Heil, K9EID - Apr 2017
Graphics: W4IQN