



# PR 40

# PR 40



It's a great feeling to produce a microphone that causes broadcasters, artists and FOH engineers to be equally excited about using it. The PR 40 has been called a "secret weapon" – for the exquisite articulation it provides in all types of applications, its low end response, and for the quality of craftsmanship used in creating this exceptional microphone.

With a 1.5" DM-6 proprietary Heil diaphragm element, the PR 40 dynamic mic boasts the widest frequency range of any Heil microphone, and is constantly compared to condenser mics that cost much more. From 28 Hz to 18 kHz, the PR 40 provides the smoothest, clearest and most natural sound available.

As with other Heil mics outfitted with dual mesh screens and element filters, the PR 40 refuses to pop (the sound that happens when one nestles in too close to the mic before speaking or singing). This alone would make the PR 40 a good mic, but when combined with all the other features, this microphone is in the superstar category.

The PR 40 is an end-fire cardioid pattern dynamic microphone, so it's great for miking drums, guitar and bass; and there is no fear of leakage of neighboring sounds due to its excellent side and rear noise rejection.

The PR 40 has become a go-to mic for broadcast facilities world-wide. It's also perfect for podcasts, voice-overs and live on-air talent.

At a frequency range starting at 28 Hz, the PR 40 may have the widest frequency range available in any microphone. One of the most asked questions is: "How do you do that with a dynamic microphone?" As said before, the answer is Bob Heil's lifetime of professional sound, his microphone building experience, and his ability to listen.

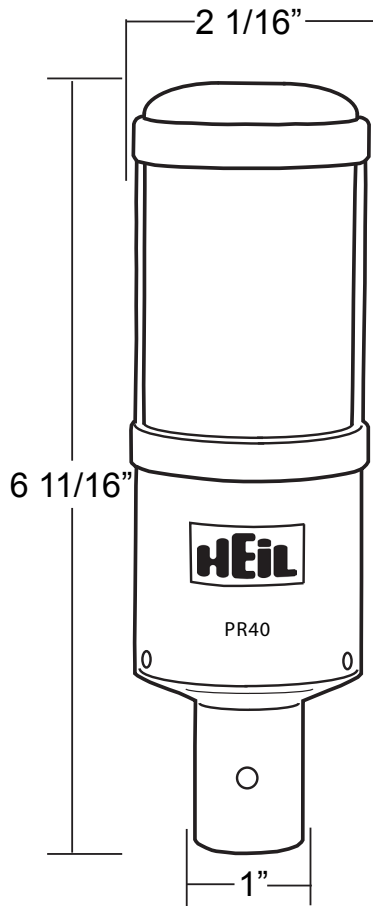
When you consider that the PR 40 microphone has been picked as the superior mic in numerous blind comparisons in studios across the United States for guitar, bass, and drums and also has been said to replace condenser mics for many broadcasters, you know it's a great microphone. Coupled with the price, far less than you might expect, you will see that Heil Sound is committed to providing value for great quality mics.

The PR 40, like all Heil microphones, is assembled and quality-tested in the USA.

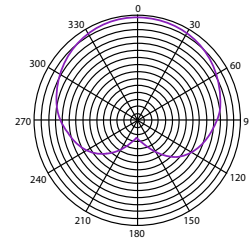
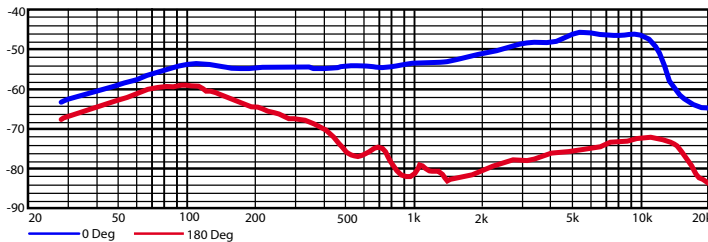
Listen To Your Ears...The difference is Heil PR 40.

Output Connection	3 pin XLR
Element Type	Dynamic
Frequency Response	28 Hz - 18 kHz
Polar Pattern	Cardioid
Rear Rejection @ 180° off axis	-40 dB
Impedance	600 ohms balanced
Output Level	-53.9 dB @ 1 kHz
Weight	13.5 oz.
Max SPL	148 dB

# PR 40



## Heil Sound Suggested Accessories



Thanks from the Heil Sound gang in Fairview Heights, IL.  
Working hard to earn your respect.

All in and out of warranty items returned must be accompanied by a completed repair form, which can be found at <http://heilsound.com/pro/repairs>  
Heil Sound, Ltd. warrants these products to the original purchaser for a period of three years parts and 90 days labor from the date of purchase. It does not cover accidental or intentional damage. Heil Sound, Ltd. is not responsible for loss, damage or expenses that arise from the use or the inability to use this product.

Heil Sound, Ltd.  
5800 North Illinois Fairview Heights, IL 62208  
618.257.3000 (phone) 618.257.3001 (fax)  
[info@heilsound.com](mailto:info@heilsound.com)



[www.heilsound.com](http://www.heilsound.com)